

## Reverse - PVD Gold

Built-in socket

Code: 8000 119

**Push socket-holder slot in Gold PVD stainless steel for built-in installation on work surfaces** - 2 Schuko socket - 1 USB socket for charging



### DETAILS

Coloring Gold

---

Finish PVD

---

Material AISI 304 stainless steel

---

Texture Foster brushed

---

Built-in hole 215x88 mm

---

Notes: It's advisable to keep a distance of 40 cm from sinks or cooking hobs (protection index IP20)

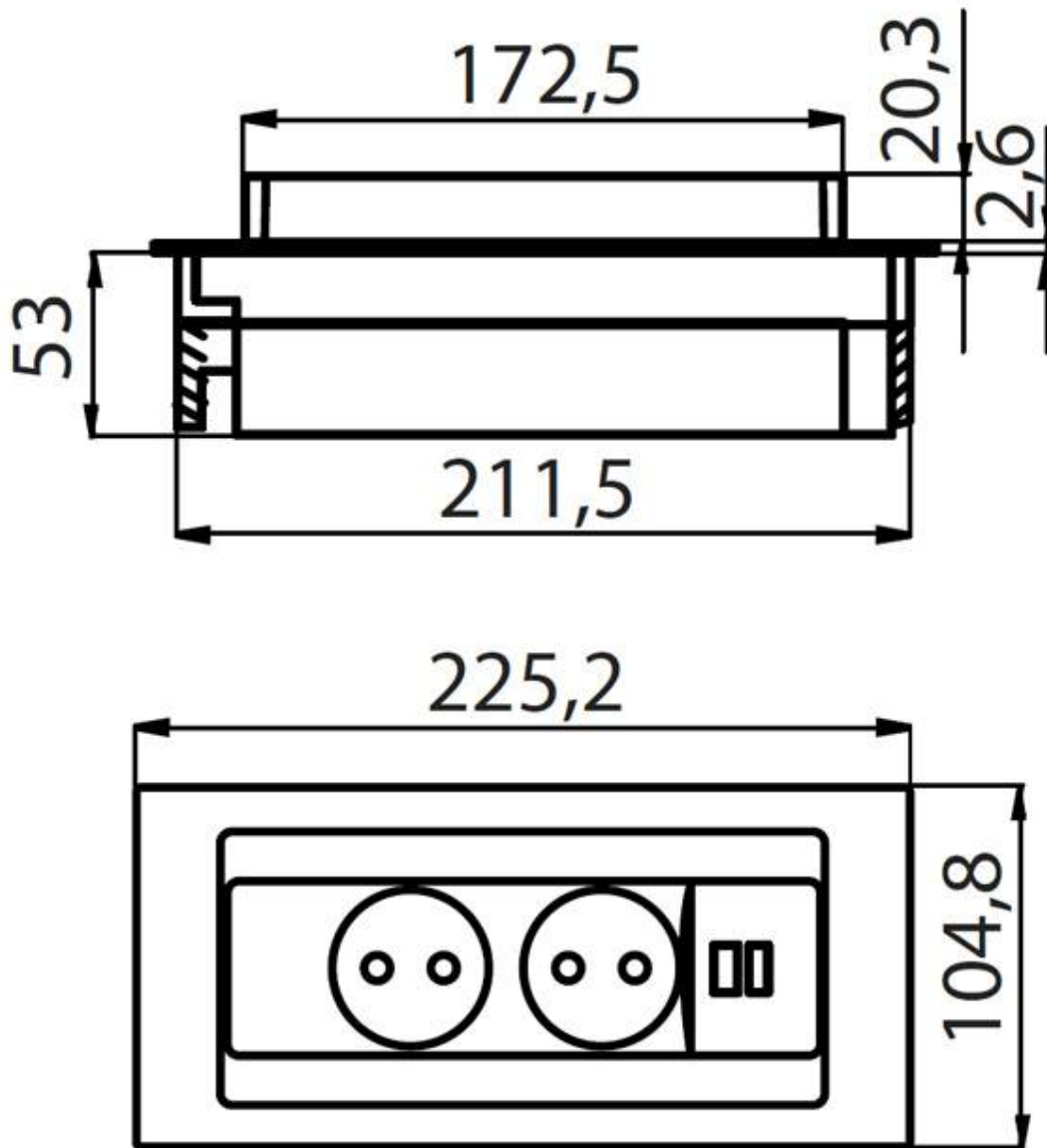
---

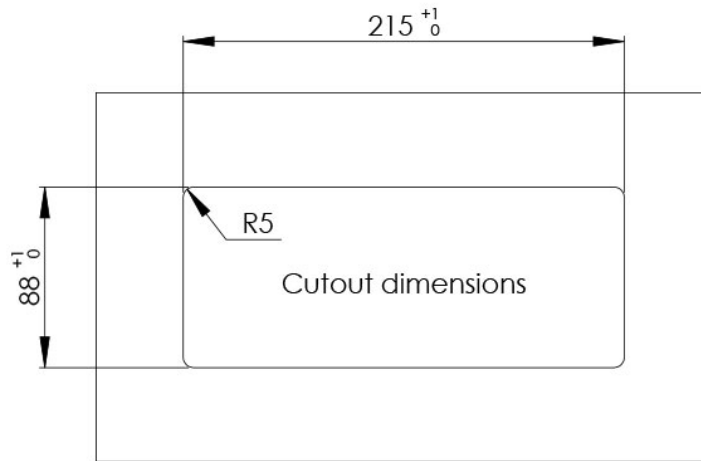
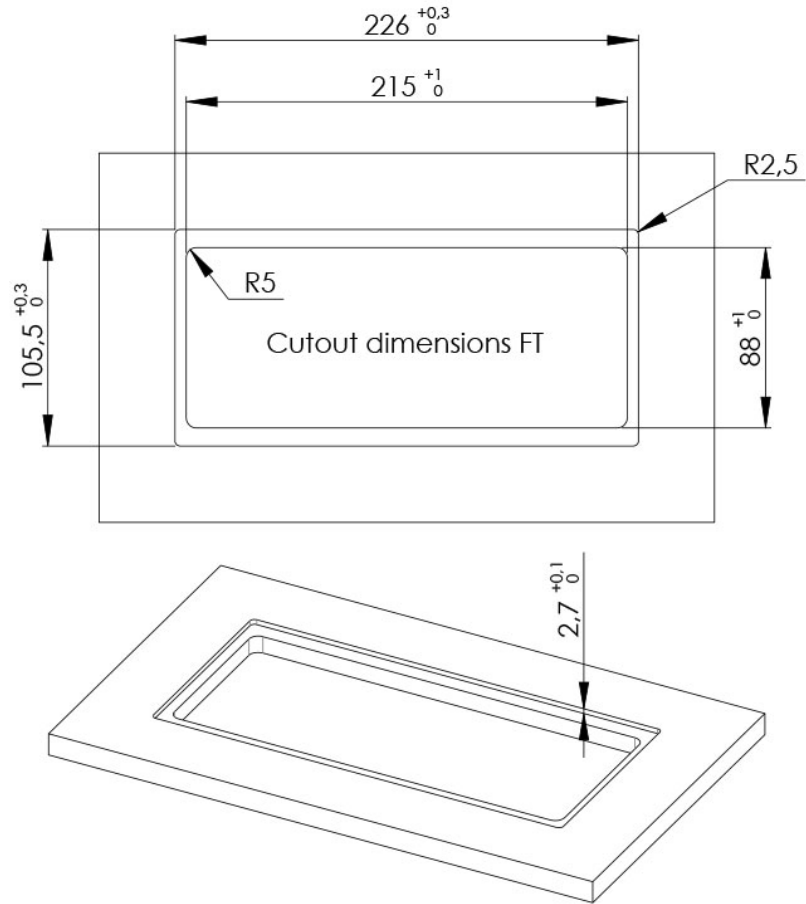
### FEATURES

**Gold** The Gold finish is obtained by treating the steel with a physical process called PVD (Physical Vacuum Deposition) which deposits particles of noble metals on the surface. The result is a unique and refined aesthetic effect, and an improvement in the mechanical properties of the steel that is more resistant to shocks and scratches.

---

## TECHNICAL DATA





## GALLERY

